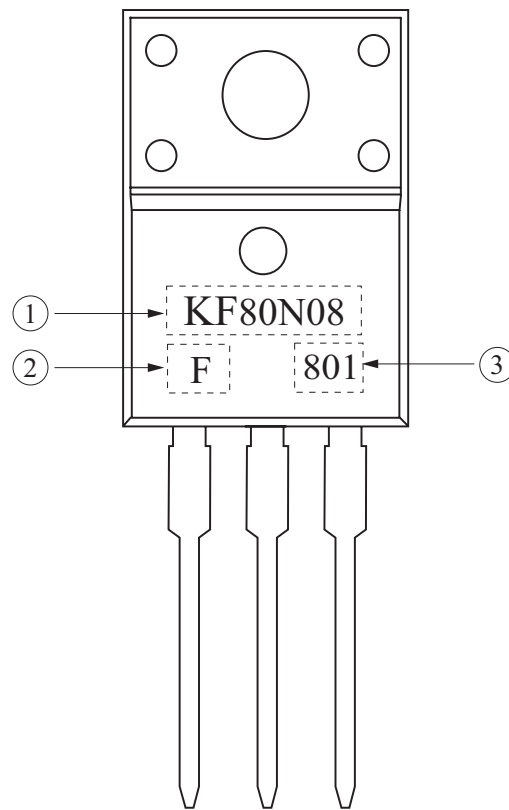


1. Marking method

Laser Marking

2. Marking



No.	Item	Marking	Description		
①	Device Name	KF	KEC Fresh FET		
		80N08	80N08		
②	Package & Version	F	TO-220IS		
③	Lot No.	801	8	Year	0~9 : 2000~2009
			01	Week	01 : 01th Week